

**RoHS COMPLIANT**

REV:	ECN. NO.	NAME	DATE
A0	----	-----	04-29-2026

NOTES:  
 MATERIAL:  
 INSULATOR:LCP PLASTIC,UL 94V-0 COLOR:NATURE  
 COVER:THERMO-PLASTIC COLOR:BLACK  
 THRMINAL:PHOSPHOR COPPER  
 CONTACT:COPPER ALLOY

SPECIFICATION:  
 CURRENT RATING:0.5A 50V AC/DC  
 CUNTACT RESISTANCE:30mΩMAX  
 INSULATION RESISTANCE:100MΩMIN AT 500V DC  
 OPERATING TEMPERATURE RANGE:-40℃ TO +85℃  
 WITHSTANDING VOLTANG:500V AC/minute

产品掀盖示意图

NOTES 1(Lot No): 19 02 23 01 01 D  
 Year of manufacturing(年) 19:2019 Year,20:2020 year  
 Month of manufacturing(月)  
 Date of manufacturing(日)  
 Reel Number(盘号)  
 Assembly machine no.(装配机台号)  
 Time of manufacturing(班别)  
 D:Daytime(白班), N:Night(夜班)

P.C.B Layout

5	右接地片	COPPER ALLOY	1	雾锡
4	左接地片	COPPER ALLOY	1	雾锡
3	端子	PHOSPHOR COPPER	**	半金锡1u"
2	掀盖	LCP	1	黑色
1	塑胶主体	LCP	1	白色
项次	名称	材质	数量	电镀(或颜色)

PN	MO	DIM A	DIM B	DIM C	DIM D
42	25.90	20.50	27.10	22.90	
60	34.90	29.50	35.10	31.90	
68	38.90	33.50	39.10	35.90	
80	44.90	39.50	45.10	41.90	
96	52.90	47.50	53.10	49.90	

MILLIMETERS	INCH
X.° ±1°	X.° ±2°
.X ±0.20	.X ±0.008
.XX ±0.15	.XX ±0.006
.XXX ±0.10	.XXX ±0.004

**VITALCON**  
a vital connector company

FOR YOUR VITAL CONNECTION

TITLE:	ZIF FPC 0.50PITCH 2.1HIGH,68Pin,ASSEMBLY		
PART NO:	F05045FA068M1WLJ9	SHEET:	1 OF 3
DWG NO:	VTC-TZ-J9-007	SIZE: A4	UNIT:mm
FCN:	J9	REV: A0	
PROJECTION:		http://www.vitalconn.com	

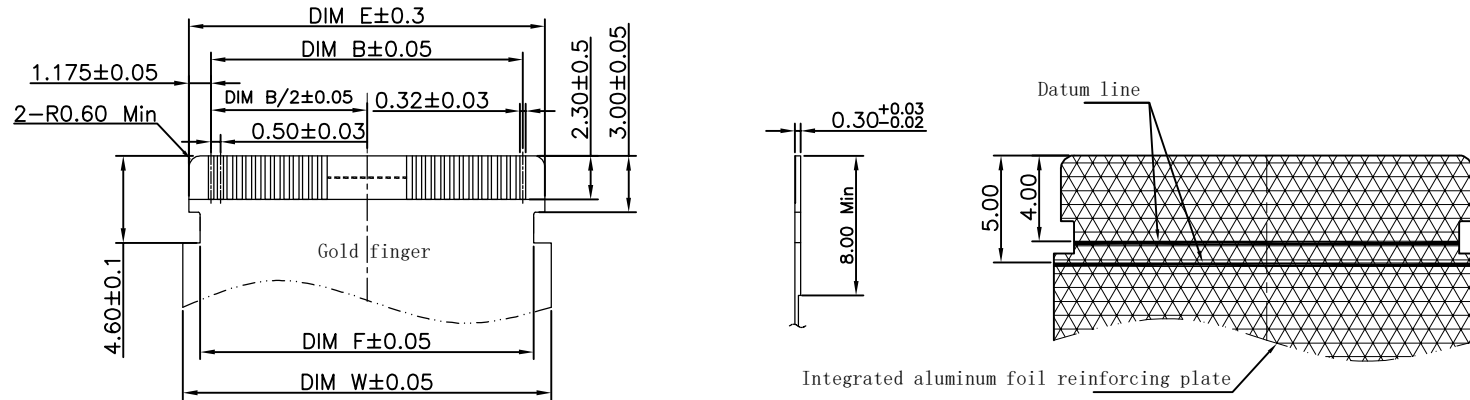
For technical support, please send an email to support@vitalconn.com

APPROVED BY: QPF

1 2 3 4 5 6 7 8



7	8
REV: A0	ECN. NO. ----- NAME ----- DATE 04-29-2026



APPLICABLE FPC RECOMMENDED DIMENSION  
FPC line of integrated reinforcing plate (ground wire)

PN	MO.	DIM B	DIM E	DIM F	DIM W
42		20.50	22.85	21.65	23.50
60		29.50	31.85	30.65	32.50
68		33.50	35.85	34.65	36.50
80		39.50	41.85	40.65	42.50
96		47.50	49.85	48.65	50.50

MILLIMETERS	INCH
X.° ±1°	X.° ±2°
.X ±0.20	.X ±0.008
.XX ±0.15	.XX ±0.006
.XXX ±0.10	.XXX ±0.004



FOR YOUR VITAL CONNECTION

TITLE:

ZIF FPC 0.50PITCH  
2.1HIGH,68Pin,ASSEMBLY

DRAWN BY: Zou Long

PART NO: F05045FA068M1WLJ9

SHEET: 2 OF 3 REV: A0

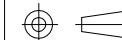
CHECKED BY: Bob

DWG NO: VTC-TZ-J9-007

SIZE: A4 UNIT:mm FCN: J9

APPROVED BY: QPF

PROJECTION:

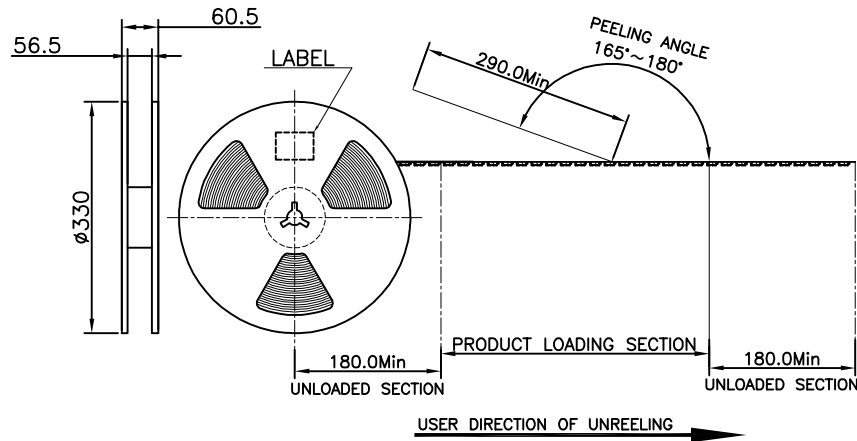


<http://www.vitalconn.com>

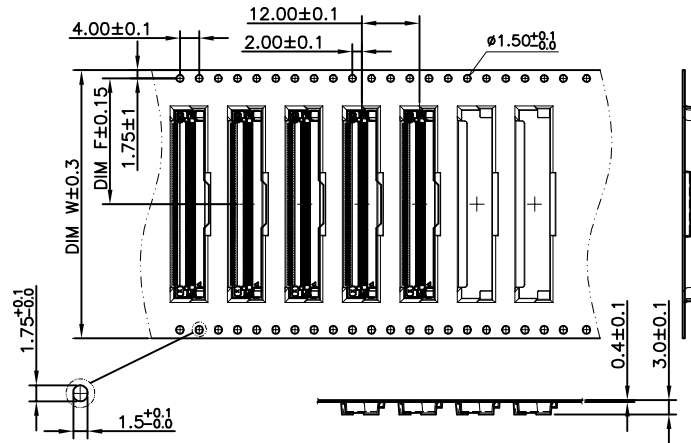
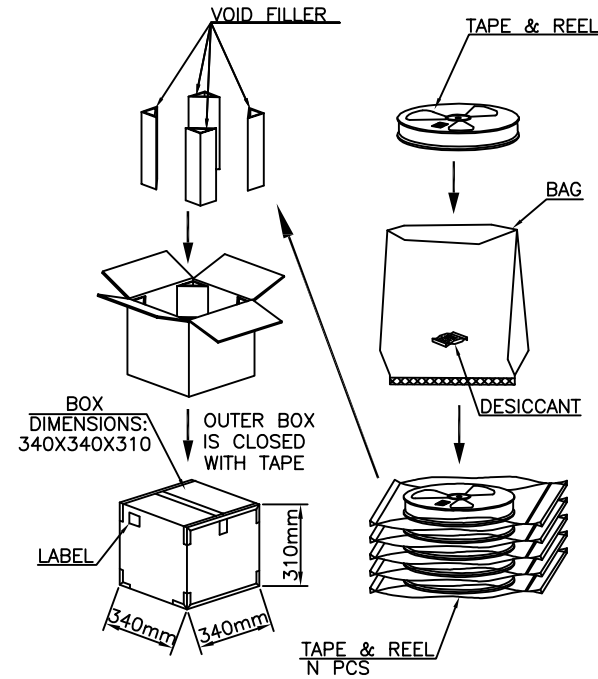
For technical support, please send an email to [support@vitalconn.com](mailto:support@vitalconn.com)



7	8	REV: A0	ECN. NO. ----	NAME -----	DATE 04-29-2026
---	---	---------	---------------	------------	-----------------



NOTES:  
 \*Reel Material:Polystyrenes,Blue color  
 \*Carrier Material:Colir Nature,Conductive Polystyrene Alloy  
 \*Cover Tape Material:Polyester  
 \*Cover Tape Peel Strength:0.1N~1.3N  
 \*Carrier cambeer is Within 1mm in 300mm  
 \*All dimensions meet EIA-481-C requirements.  
 \*Quantity:2000 PCS/Reel



PIN NO.	PCS/REEL	PCS/BOX	GROSS WEIGHT	NET WEIGHT	DIM W	DIM F
42P	2000	10000	-	-	56	26.2
60P	2000	10000	13.52Kg	8.21Kg	56	26.2
68P	2000	10000	14.23Kg	8.93Kg	56	26.2
80P	2000	8000	13.31Kg	8.31Kg	72	34.2
96P	2000	8000	14.81Kg	9.81Kg	72	34.2

For technical support, please send an email to [support@vitalconn.com](mailto:support@vitalconn.com)

MILLIMETERS	INCH
X.° ±1°	X.° ±2°
.X ±0.20	.X ±0.008
.XX ±0.15	.XX ±0.006
.XXX ±0.10	.XXX ±0.004



FOR YOUR VITAL CONNECTION

TITLE: ZIF FPC 0.50PITCH  
2.1HIGH,68Pin,ASSEMBLY

DRAWN BY: Zou Long	PART NO: F05045FA068M1WLJ9	SHEET: 3 OF 3	REV: A0
CHECKED BY: Bob	DWG NO: VTC-TZ-J9-007	SIZE: A4	UNIT:mm FCN: J9
APPROVED BY: QPF	PROJECTION:	<a href="http://www.vitalconn.com">http://www.vitalconn.com</a>	